

GRINDMASTER

Coffee System Single Portion Grinder, 1x2.7 kg Hopper

ITEM # _____

MODEL # _____

NAME # _____

SIS # _____

AIA # _____



600600 (190SSCE)

Single portion grinder with
one 2.7 kg hopper

Short Form Specification

Item No. _____

Single portion grinder, 1x2,7kg with hopper features excellent bean visibility, adjustable range of grind settings and the granulating-style burrs assure highly accurate and consistent throws. Powerful, energy efficient 1/2 HP motor and circuit breaker with manual reset button.

Main Features

- Excellent bean visibility.
- Adjustable range of grind settings.
- Exclusive, long lasting granulating-style burrs assure highly accurate and consistent throws.
- Economical, dependable grinders.
- How to Operate:
 - 1. Fill the hopper with whole bean coffee and close the lid.
 - 2. Place the brew basket with coffee filter between brew rails.
 - 3. Push the start button. Grinder will grind a predetermined amount of coffee, and then automatically shut off.
 - 4. When grinder stops, remove the brew basket.
- Grind range: 15gr - 750gr.

Construction

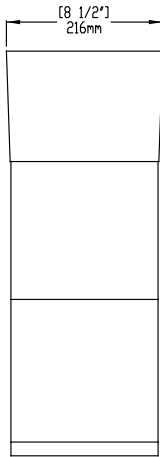
- Powerful, energy efficient 1/2 HP motor.
- Solid-state, concealed, dual range timer.
- Circuit breaker with manual reset button.

APPROVAL: _____

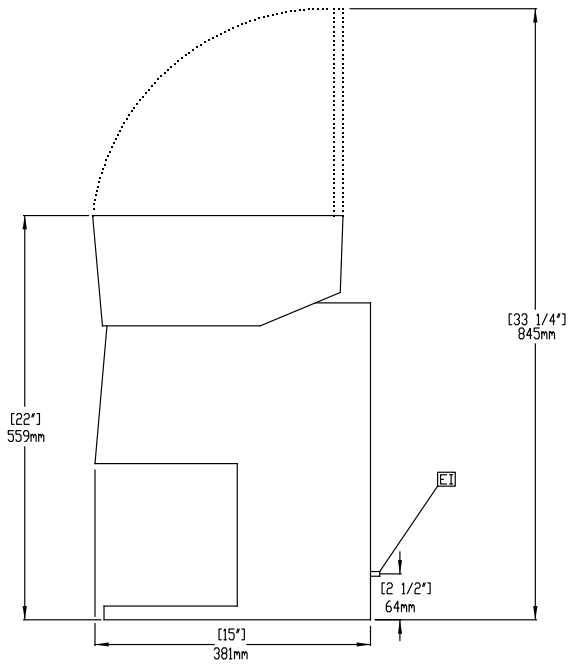
GRINDMASTER

Coffee System Single Portion Grinder, 1x2.7 kg Hopper

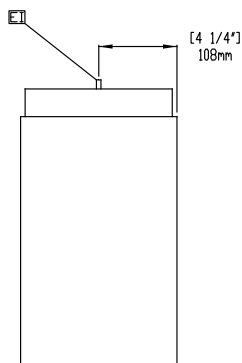
Front



Side



Top



Electric

Supply voltage:

600600 (190SSCE) 230 V/1 ph/50 Hz

Electrical power max.:

0.8 kW

Key Information:

External dimensions, Width: 216 mm

External dimensions, Depth: 381 mm

External dimensions, Height: 559 mm

Net weight: 17 kg

Shipping weight: 24 kg

Shipping height: 700 mm

Shipping width: 320 mm

Shipping depth: 470 mm

Shipping volume: 0.11 m³

Coffee System
Single Portion Grinder, 1x2.7 kg Hopper

The company reserves the right to make modifications to the products without prior notice. All information correct at time of printing.

2023.03.09

